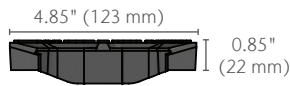
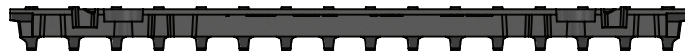
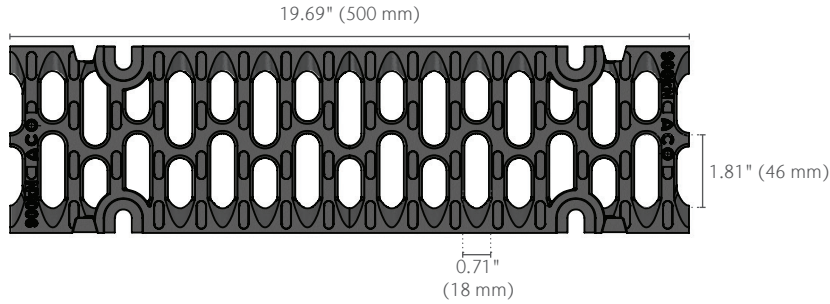


S100K 4-Bolt Ductile Iron Grate Spec Sheet



S100K 4-Bolt Ductile Iron Grate

part no. 99590



Product Name	Part No.	Length in (mm)	Width in (mm)	Weight lbs
S100K 4-Bolt Ductile Iron Grate	99590	19.69 (500)	4.85 (123)	10.8

S100K 4-Bolt Ductile Iron Grate Spec Sheet



4-Bolt Locking Mechanism



ACO offers a 4-bolt locking solution for applications requiring more security.

The four threaded stainless steel inserts in the PowerDrain channel body allow a 4-bolt grate to be bolted into the channel for ultimate stiffness and security.

Tamper resistant bolts can also be used.

Specification Summary

General

The surface drainage system shall be ACO PowerDrain or SlabDrain, complete with ACO iron grate with 4-bolt locking as manufactured by ACO, Inc. or similar approved.

Installation

The trench drain system and grates shall be installed in accordance with the manufacturer's installation instructions and recommendations.

Materials

The covers shall be manufactured from ductile iron and have minimum properties as follows:

- Ductile iron to ASTM A 536-84 - Grade 65-45-12
- Intake area of 36 in² (232.25 cm²) per half meter of grate

The overall width of 4.85" (123 mm) and overall length of 19.69" (500 mm). Slots measure at 0.71" (18 mm) by 1.81" (46 mm).



Australian Standard AS 3996 - 2006 Clause 3.3.6: max slot length dependent on slot width for grates that are deemed Bicycle Tire Penetration Resistant.

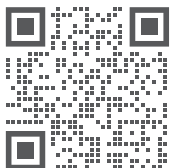


EN1433 Load Class F
202,328 lbs – 4,177 psi

ACO, Inc.

© January 2026 ACO, Inc.

All reasonable care has been taken in compiling the information in this document. All recommendations and suggestions on the use of ACO products are made without guarantee since the conditions of use are beyond the control of the company. It is the customer's responsibility to ensure that each product is fit for its intended purpose and that the actual conditions of use are suitable. ACO, Inc. reserves the right to change products and specifications without notice.



info@acousa.com
www.acousa.com

